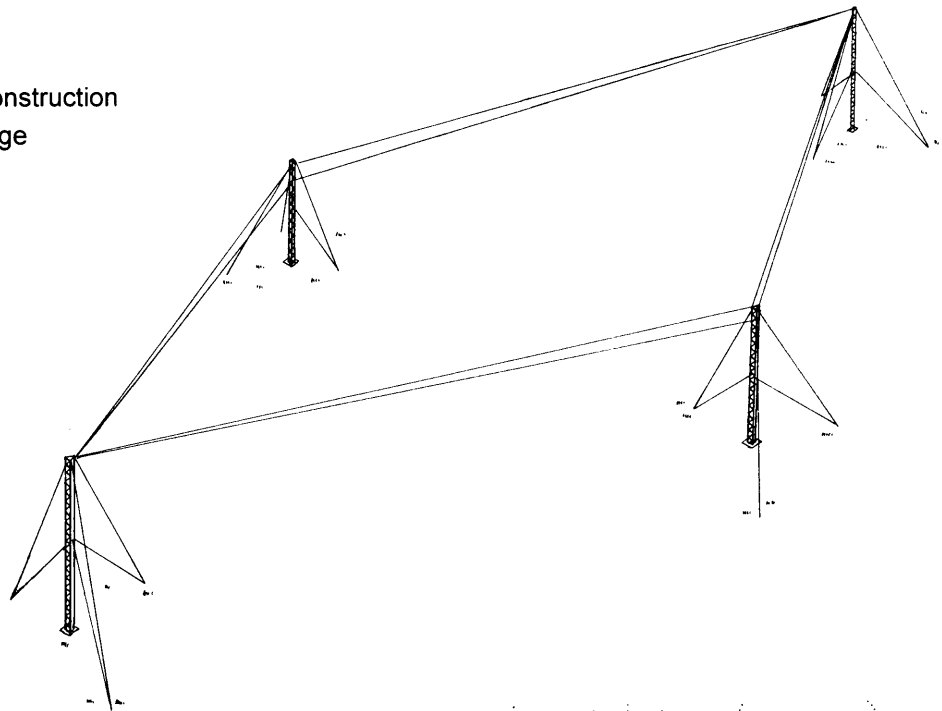




# HF Rhombic Antenna RB320

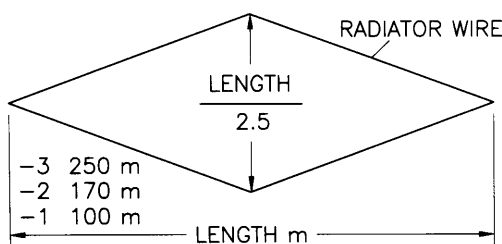
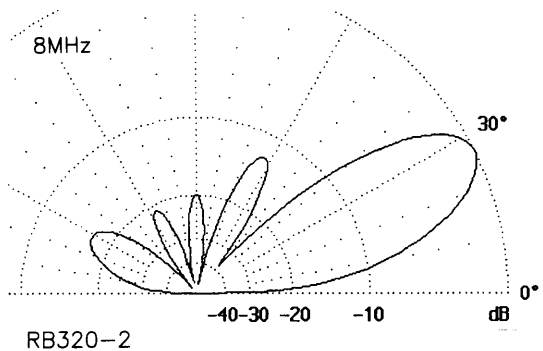
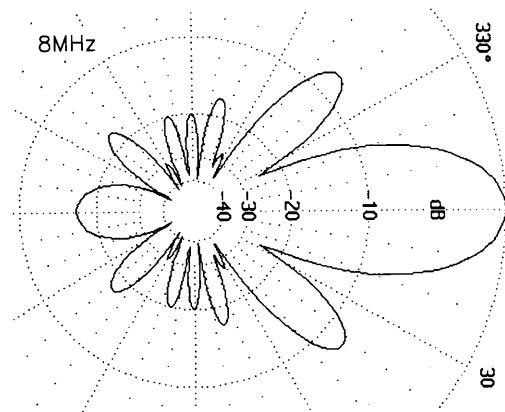
- ★ Broad Band
- ★ Directional
- ★ Easy and Rugged Construction
- ★ Medium to Long Range



Providing a horizontally polarized, directional radiation pattern especially suited for ranges of 1,000 to 5,000 km. The RB320 series operates in the 2~30MHz frequency range. The RB320-3-x is power rated at 10 kW PEP, while the RB320-1-x is rated at 2 kW PEP. The radiator assembly, consisting of two alumoweld wires, is supported by four guyed towers, spreaded out in lozenge-shaped and terminated in 600-ohms balanced resistive load. The direction of propagation is the symmetrical course against feeding point.

## SPECIFICATIONS

Frequency Range	2~30 MHz
Polarization	Horizontal
Gain, Typical	4~16dBi
Power Handling Capability	1kW/2kW PEP. (RB320-x-1)
CW/PEP	2.5kW/5kW PEP. (RB320-x-2)
	5kW/10kW PEP. (RB320-x-3)
Gain, Nominal	See Drawing.
Input Impedance	600 Ohms Balanced or 50 Ohms Coax.
VSWR, Maximum	2.0: 1
Antenna Length and Height	100m × 18m (RB320-1-x)
	170m × 25m (RB320-2-x)
	250m × 30m (RB320-3-x)
Wind Survival Rating	45m/sec.



ANTENNA DIMENSIONS.

