



TRANSMITTING MULTI-COUPLERS

MU230

- ★ Saves on Antennas, Transmission Line and Installation
- ★ Maximizes Utility of Modern Broad-Band Antennas

The CD MU230 series of multi-couplers consist of low-pass and high pass sections joined in a common output and separated in frequency by a cross-over range in which operation is forbidden. The CD model MU230 series couples two HF transmitters to one broad band antenna, permitting both to transmit simultaneously. Does not require tuning.

2 to 30 MHz frequency range divisible at almost any point to provide a lower sub-range for one transmitter and a higher sub-range for the other.

Model MU230/10, has a power transfer capacity of 10 kW average and 20 kW peak from each transmitter and model CM 230/5 can handle 5 kW average, 40 kW peak from each.

SPECIFICATIONS

Frequency Range:

2 to 30 MHz divided into lower and upper pass bands, separated by a rejection band of 20 or 40% of the center frequency of the rejection band. The center frequency of the rejection band may be specified anywhere in the 2 to 30 MHz range, providing that it is an integral multiple of 100 KHz.

Impedance: 50 ohms, on both input and output.

Insertion VSWR: 1.2:1 maximum.

Isolation between input ports: 30 dB minimum.

Efficiency: Greater than 95%

Installation

Interior only, mounted on flat horizontal surface, the cleaning fan is attached to the above MU230-2 model.

The fan will begin starting automatically when transmission is started.

STANDARD SPECIFICATIONS

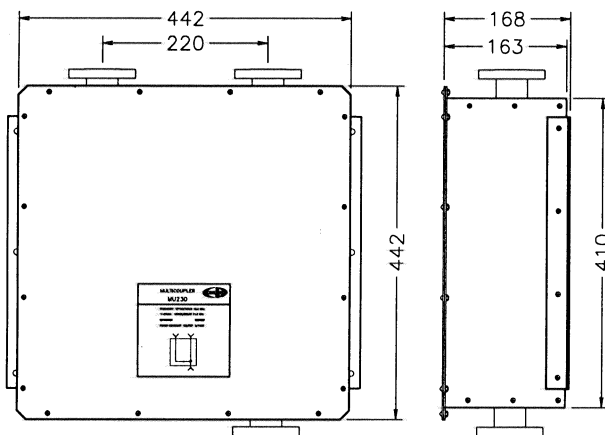
Standard specifications for MU230 is as follows:

Frequency Range	2 to 30 MHz
Impedance	50 Ω
Insertion VSWR	Less Than 1.2:1
Isolation Between Input Ports	More Than 30dB
Insertion Loss Between Input Ports	Less Than 0.25dB
Crossed Over Frequency	±3% of Specified Value
Rejection Band	20%, 35% of Crossed Over Freq.

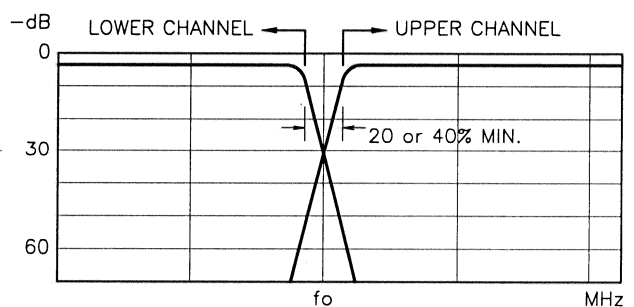
RF Power Capability and Input Connector

Type	RF Power	Connector
MU230-1	1/ 2kW PEP	-N- Jack
MU230-2	5/10kW PEP	-LC- Jack or 1-5/8" EIA Female
MU230-3	10/20kW PEP	1-5/8" EIA Female

Installation: Standard model is indoor type so is no directivity in the installation position.



MU230-2. Outline Dimensions



Operating Frequency and Rejection