



# Flat Reflector Antenna **CRD920-x**

- ★ FM Band 87.5~108MHz
- ★ Light Weight, High Strength
- ★ Easy Construction

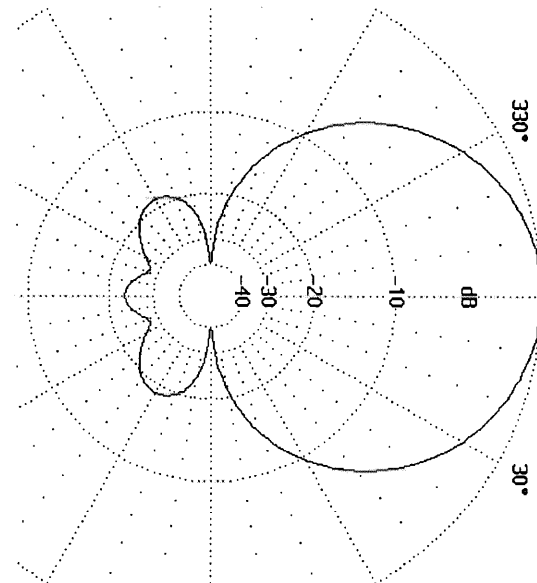
## DESCRIPTION AND APPLICATION

This CRD920-x is a flat reflector antenna designed for FM broadcasting (Band II). The antenna is to be installed in the side of the tower face and it makes it possible to derive some radiational patterns among 1 direction or even 2 or 4 directions (clover pattern). With being stacked them in the multiple stages, it reduces such an radiations toward sky direction, hence it enables to increase the radiation toward the service area. By adding a tilt function to this antenna, further expansion of being as much service area as possible will be sufficiently derived accordingly. The CRD920 is structured with 2-stacked dipole antennas and the reflector of stick bars shape that enable to obtain the gain at 9.5dBi toward service areas. A selected high strength aluminum are used for all the main materials structured in this antenna which are anticorrosive processed considering rust prevention and high durability. In couple with high performance, light weight antenna makes it possible to proceed an easy installation.

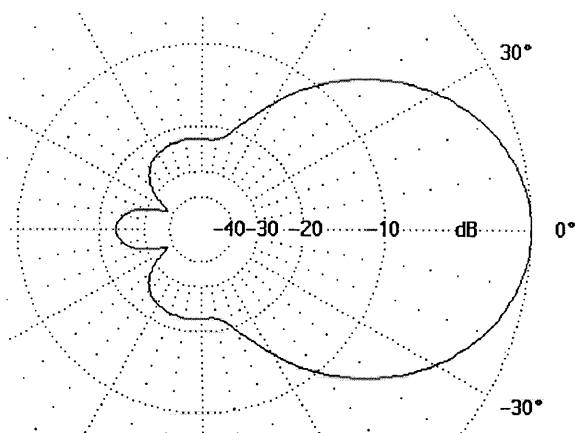
The power splitter either the CPS115-x or CPS395-x is also available which is required to feed RF power to the multiple CRD920. In combination with these power splitter either the 2-split or 4-split type respectively can bring into an effective to make an efficient feed system for the RF line to an even number of antenna arrangement.

## SPECIFICATIONS

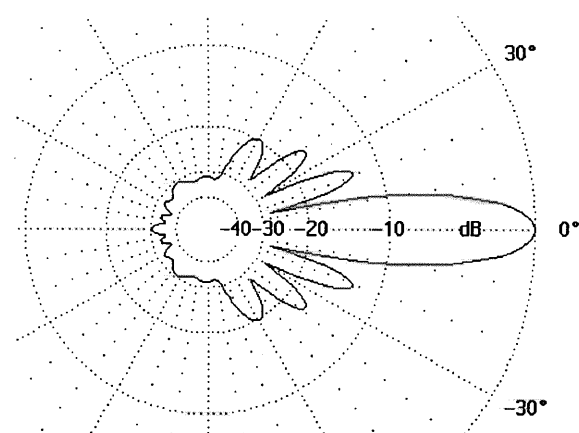
Model	CRD920-x	
Frequency	87.5~108MHz	
Polarization	Horizontal	
Gain	9.5dBi	
	12.3dBi/2S	
	15.4dBi/4S	
F/B Radio, Ave.	20dB	
	25dB/2S	
	28dB/4S	
Beamwidth E-Plane	70°	
H-Plane	120°	
Impedance	50 Ω	
VSWR	Less than 1.1:1	
RF Power Capability	-1: 3kW	-2: 5kW
Input Connector	-1: 7-16DIN	-2: 7/8" EIA
Wind Survival Rating	45m/s.	
Wind Loading	1.5KN/Front	
Mounting	φ48~61mm Hor. Tubing, 2-pcs.	
Weight Approx.	38kg	



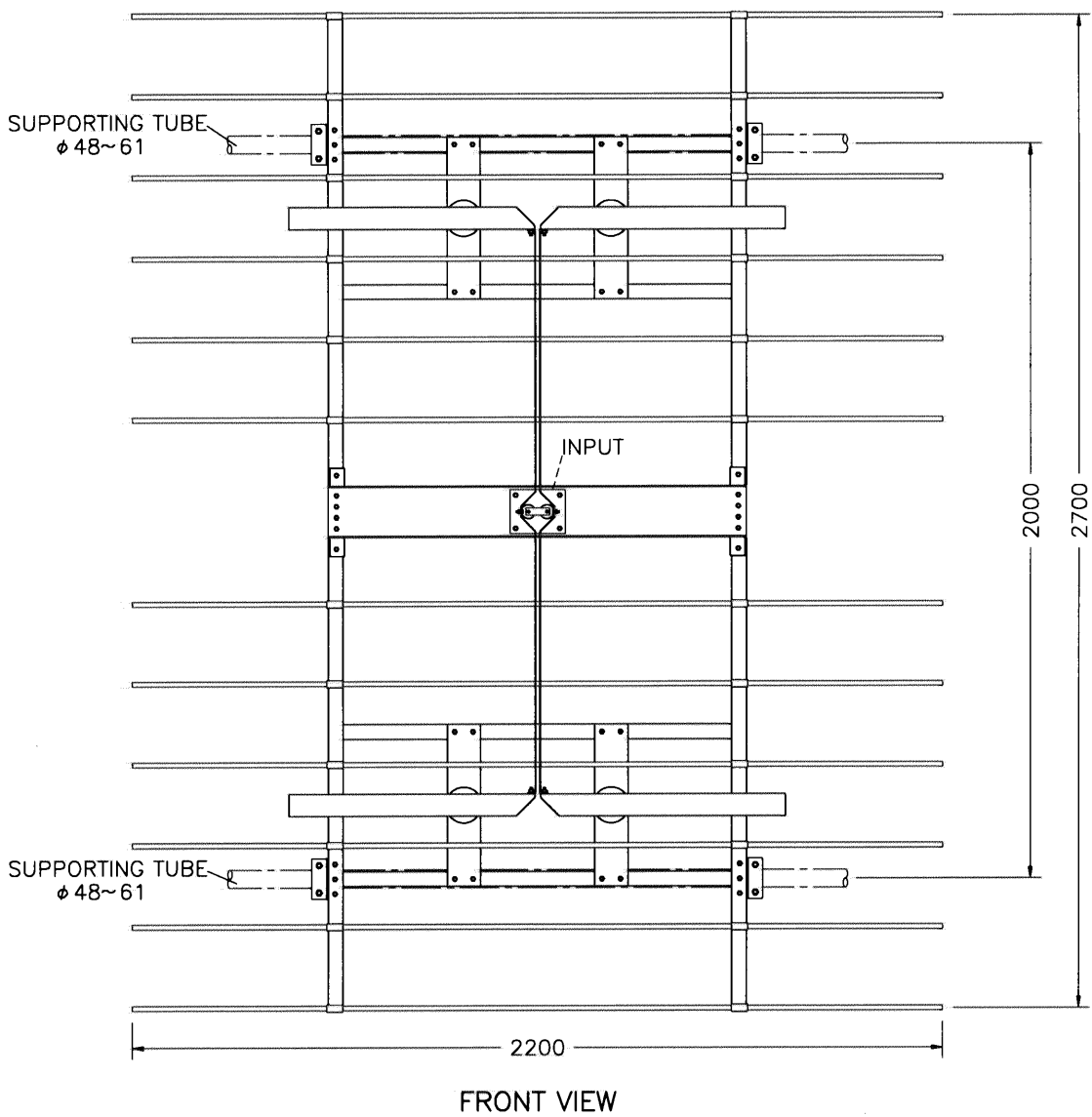
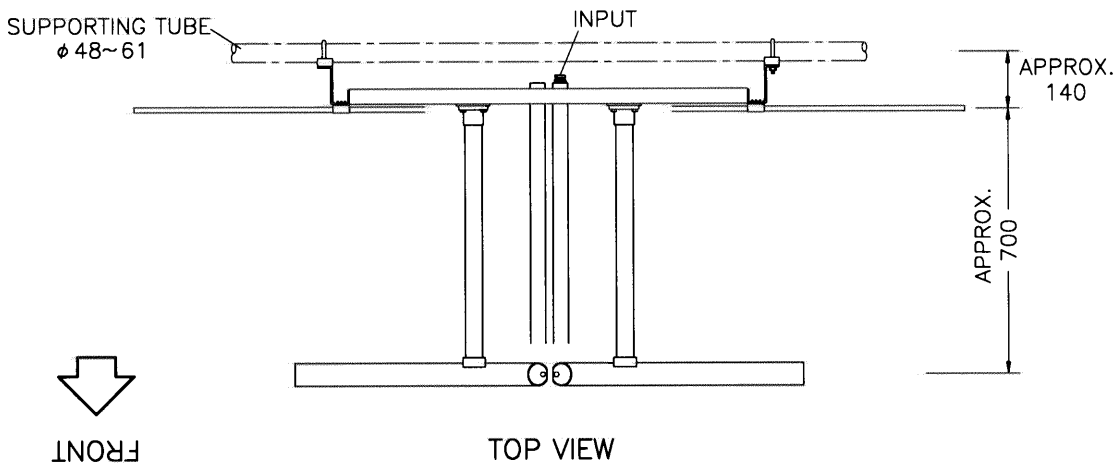
Radiation Pattern, E-Plane



Radiation Pattern, H-Plane  
1-Unit



Radiation Pattern, H-Plane  
4-Stacked (4-Unit)



- NOTES: 1 DIMENSIONS ARE IN MILLIMETRES.  
 2 MATERIALS, GALVANIZED STEEL.  
 CHROMATED ALUMINUM.

Flat Reflector Antenna, CRD920-x  
 DWA.049