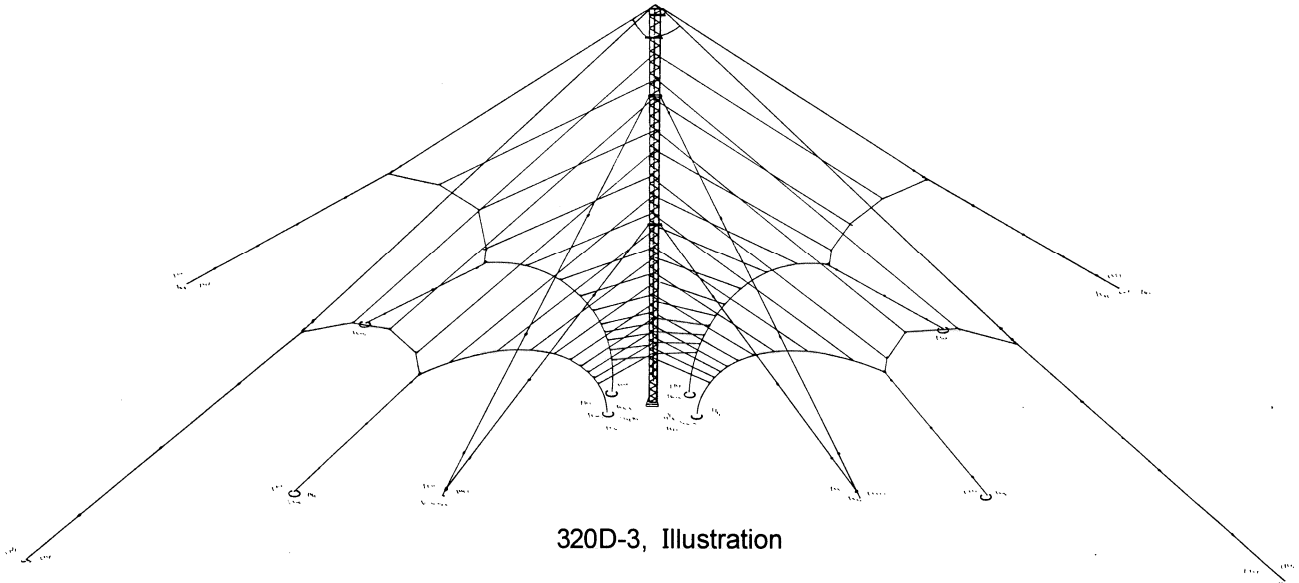




Omni-directional Antenna 320D-x

- ★ Improved Short-Medium Range Communication
- ★ Horizontally Polarized to Eliminate Ground Losses



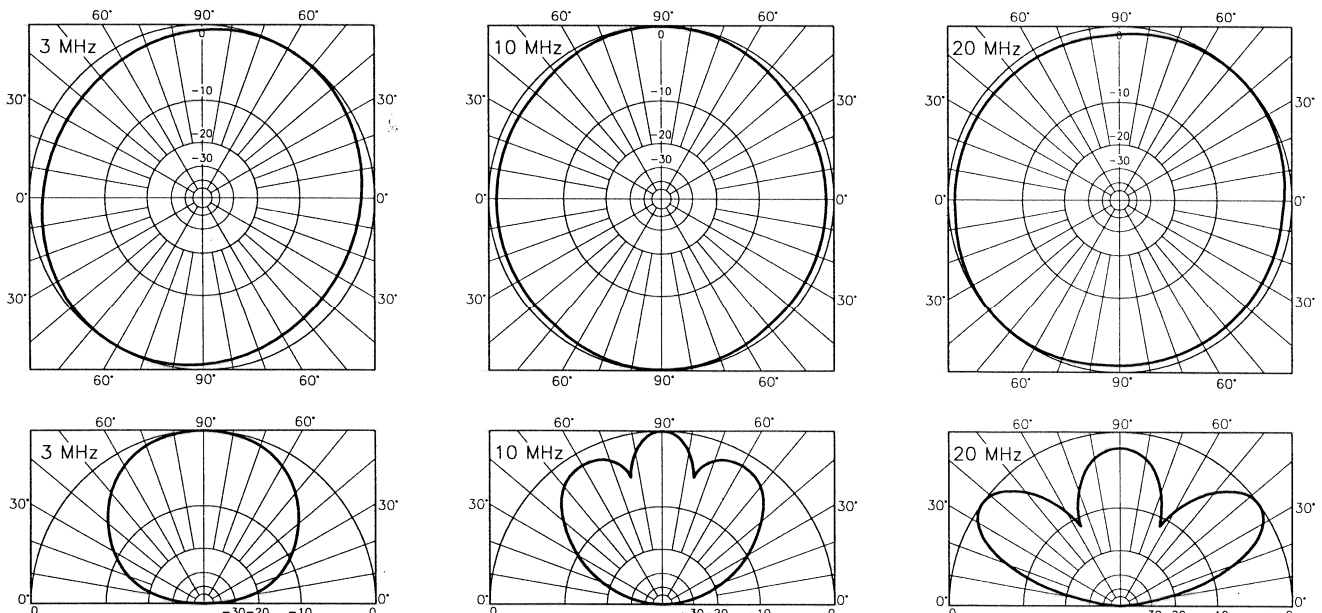
The CD model 320D log-periodic antenna is designed specifically to support reliable short-medium range communications. Vertically polarized antennas can not always provide reliable short range coverage because of limitations in the radiation pattern or excessive attenuation of the ground wave.

In support of this short-medium range communication, the 320D is designed to direct energy straight overhead, and in addition, 320D has an omni-directional azimuth plane pattern, provides optimum coverage for communication centers, such as an air-ports, for ground-air and shore stations for shore-ship communications etc.

The 320D is extremely efficient, and no loss terminations are used. No ground losses are occurred, thus 320D will outperform the traditional conical monopole or inverted cone antenna. The broad band characteristics and low VSWR exhibit over the entire operating range make the model 320D an ideal replacement in situations where several antennas have been previously required.

Structurally, the antenna is supported by a single galvanized steel tower, it consequently contributes to decrease the installation and maintenance costs, and the required land area too.

Elevation and Azimuth Patterns (Azimuth Pattern at 30 Elevation)



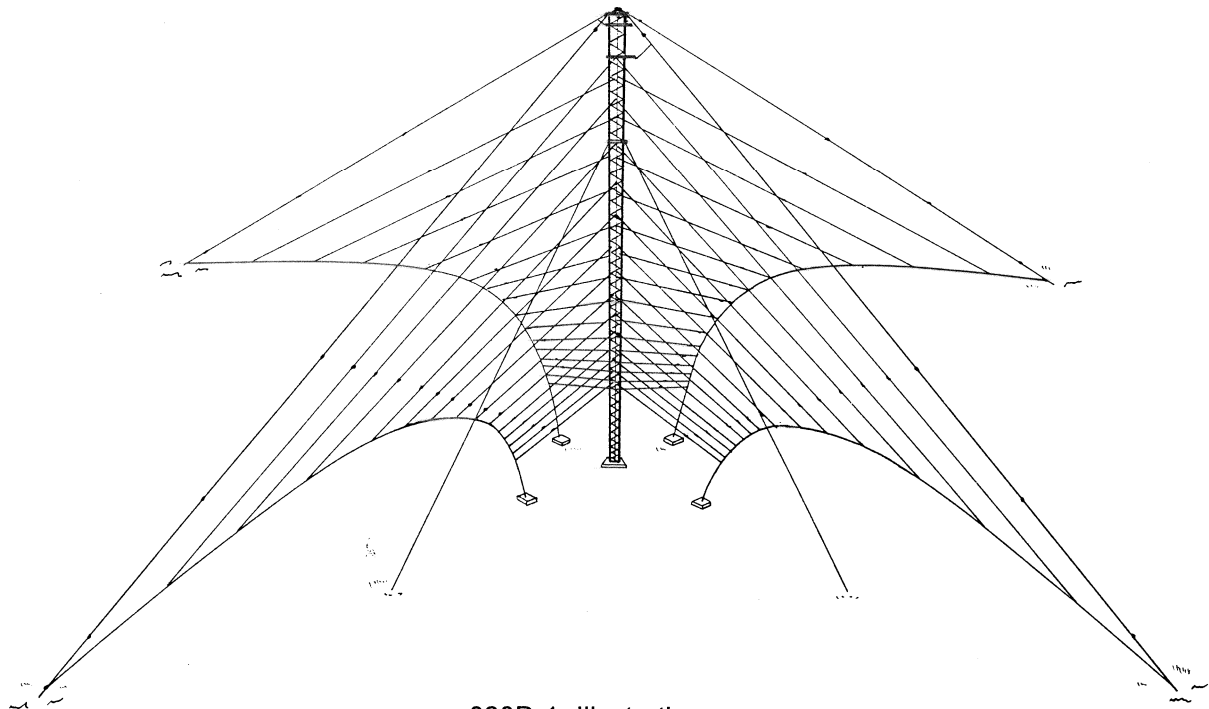
Omni-Directional LP-Antenna Model 320D-x

SPECIFICATIONS

Model No.	320D-1	320D-2	320D-3
Frequency Range	2.7~28 MHz	4~28 MHz	2~28 MHz
Polarization		- Horizontal-Elliptical -	
Gain (Nominal)	4~6dBi	4~6 dBi	4~6dBi
Azimuth Pattern		- Essentially Circular -	
Input Impedance	50 ohms	50 ohms	50 ohms
VSWR. Nominal	2:1	2:1	2.2:1
Power Handling Capability		- Refer to Note Below -	
Tower Height	30 m	20 m	39.5 m
Site Dimensions, Guy to Guy	50 x 50 m	40 x 40 m	92 x 92 m
Wind Loading Capability (No Ice)	45 m/s	45 m/s	45 m/s
System Net Weight	850 kg	650 kg	1050 kg

Note: Use an appropriate sub-model number when specifying or ordering a system.

	Power	Connector
320D-x-1.	Receive or 50W Transmit	Type -N- Female
320D-x-2.	Transmit, 1 kW Ave./2 kW PEP	Type -N- Female
320D-x-3.	Transmit, 5 kW Ave./10 kW PEP	Type 7/8" EIA. Female
320D-x-4.	Transmit, 10 kW Ave./20 kW PEP	Type 1-5/8" EIA. Female



320D-1, Illustration