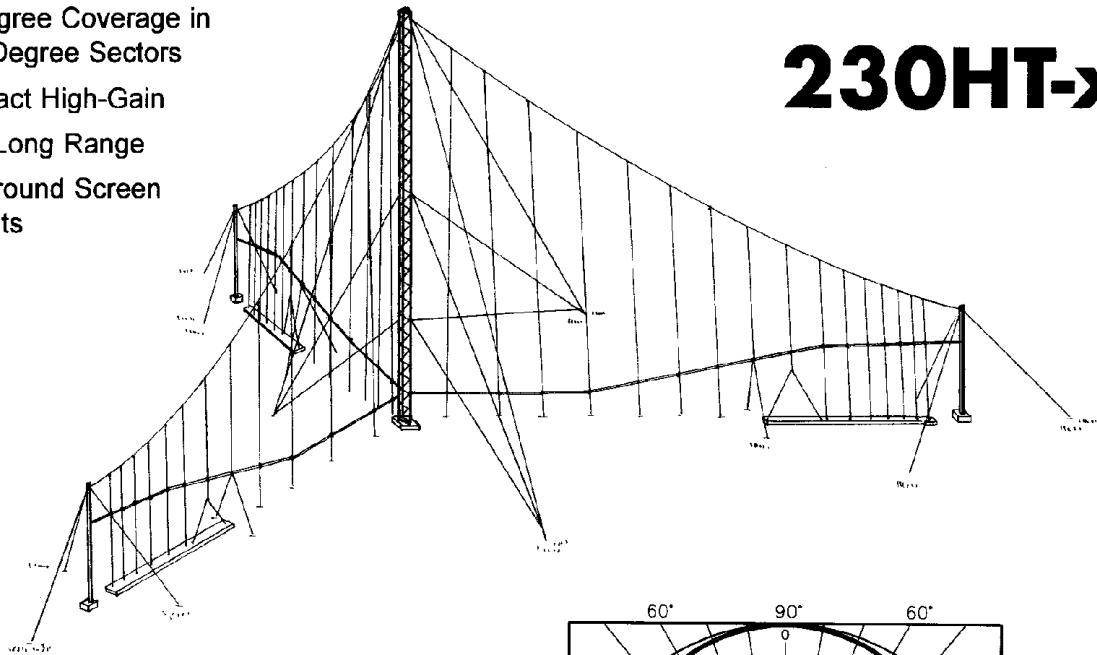




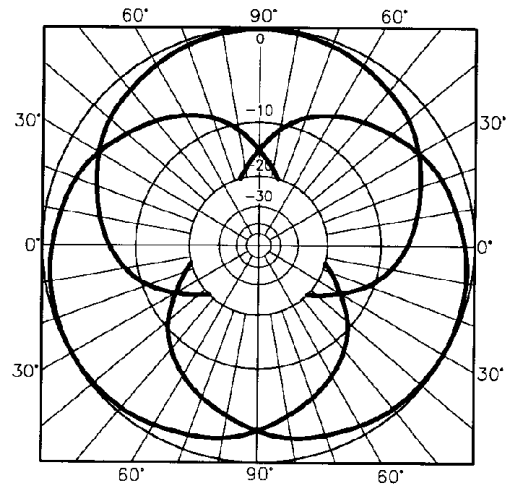
# Sector Coverage L.P. Dipole Antennas

- ★ Full 360 Degree Coverage in Three 120 Degree Sectors
- ★ Most Compact High-Gain
- ★ Medium or Long Range
- ★ Minimum Ground Screen Requirements

## 230HT-x



This log-periodic array of three vertically-polarized transposed dipole which is independently operating antennas arranged for overlapping coverage of four 120° sectors performs well over average soil without a ground screen. It is suitable for installation almost anywhere on a fraction of land area commonly required for systems of comparable gain and frequency coverage.



Azimuth Pattern DWGA.064H

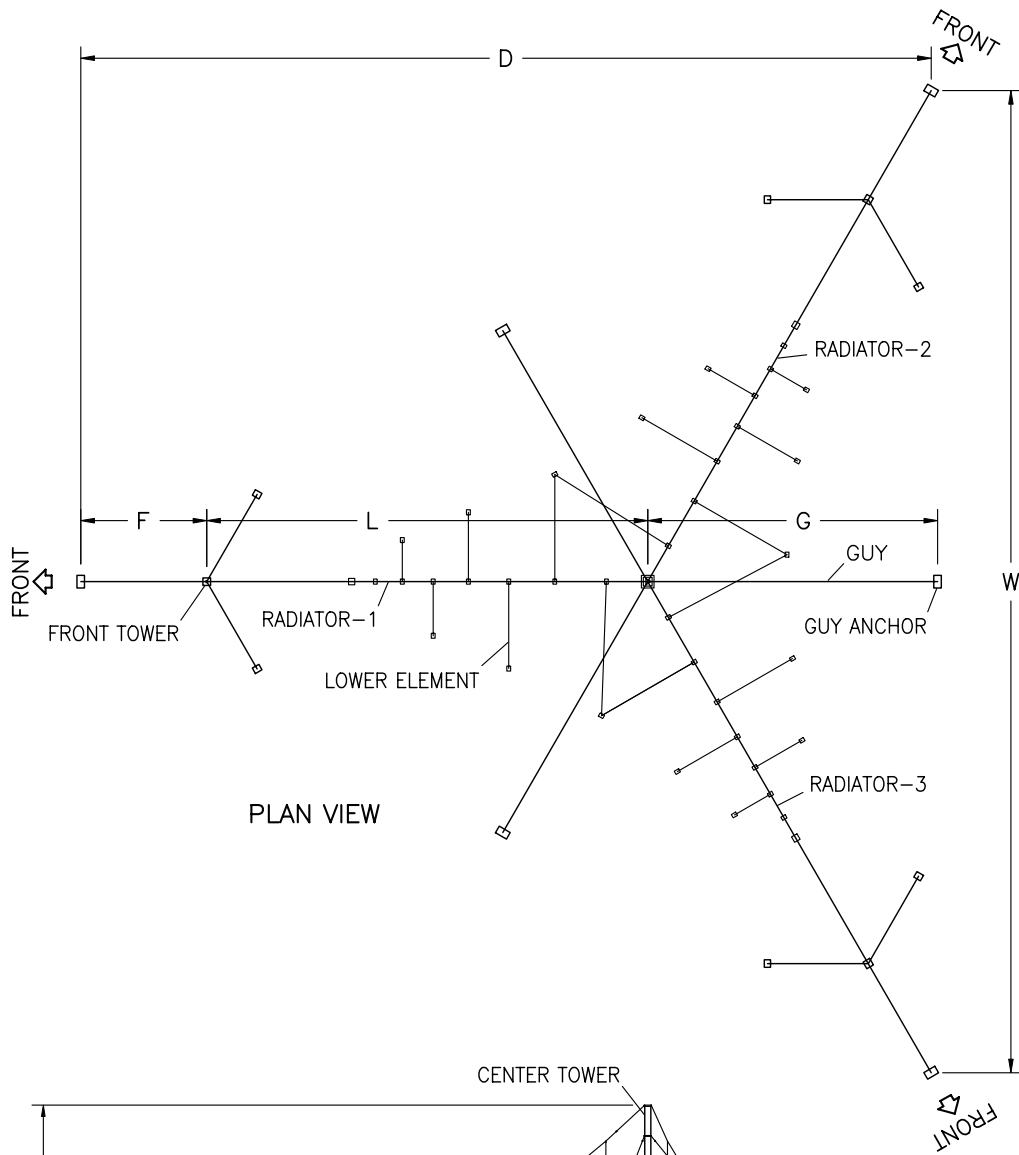
### SPECIFICATIONS

| Model No.                              | 230HT-1-x               | 230HT-2-x | 230HT-3-x |
|--|-------------------------|-----------|-----------|
| Frequency Range                        | 2~30 MHz                | 3~30 MHz  | 4~30 MHz  |
| Polarization                           | Vertical                | Vertical  | Vertical  |
| Forward Gain                           | 10~12 dBi               | 10~12 dBi | 10~12 dBi |
| Front/Back Ratio                       | 12~15 dB                | 12~15dB   | 12~16dB   |
| VSWR Nominal                           | 2.0:1                   | 2.0:1     | 2.0:1     |
| Power Handling Capability.             | - Refer to Note Below - |           |           |
| Azimuth Half Power Beam Width          | 135°                    | 125°      | 120°      |
| Nominal Take Off Angle, Ave. Max. Gain | 16°                     | 16°       | 16°       |
| Half-Power Point                       | 3°, 25°                 | 3°, 25°   | 3°, 20°   |
| Curtain Radius                         | 77 m                    | 55 m      | 45 m      |
| Overall Height                         | 47 m                    | 32 m      | 29.7 m    |
| Wind Loading Capability No Ice         | 45 m/s                  | 45 m/s    | 45 m/s    |
| System Net Weight                      | 3450 kg                 | 2160 kg   | 1680 kg   |

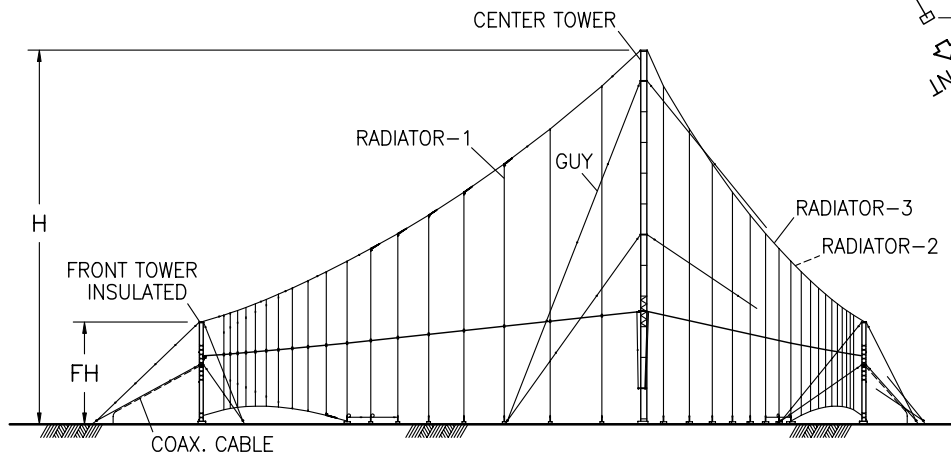
Note 1: Use an appropriate sub-model number when specifying or ordering a system.

|                                    | Connector          |
|------------------------------------|--------------------|
| 230HT-x-1. Receive                 | Type "N" Female    |
| 230HT-x-2. Transmit, 1 kW/2 kW PEP | Type "N" Female    |
| 230HT-x-3. Transmit, 5 kW/10 kW    | 7/8" EIA. Female   |
| 230HT-x-4. Transmit, 10 kW/20 kW   | 1-5/8" EIA. Female |

Note 2: A controller for antenna switching 230HTC-x is available as an option.



PLAN VIEW



ELEVATION VIEW 230HT-3

NOTE: DIMENSIONS ARE IN METRES.

SIZE DATA Model 230HT-x-x

|    | 230HT-1 | 230HT-2 | 230HT-3 |
|----|---------|---------|---------|
| W  | 130 m   | 91.8 m  | 77.9 m  |
| D  | 112.5 m | 79.5 m  | 67.5 m  |
| L  | 67 m    | 45 m    | 35 m    |
| G  | 30 m    | 28 m    | 23 m    |
| H  | 46.8 m  | 32 m    | 29.7 m  |
| FH | 8.1 m   | 8.1 m   | 8.1 m   |
| F  | 10 m    | 10 m    | 10 m    |

**Creative Design Corp.**

4-8 Asano-cho, Kawasaki-ku, Kawasaki, 210-0854 Japan  
 Tel: (81)-44-333-6681 / Fax: (81)-44-333-6598